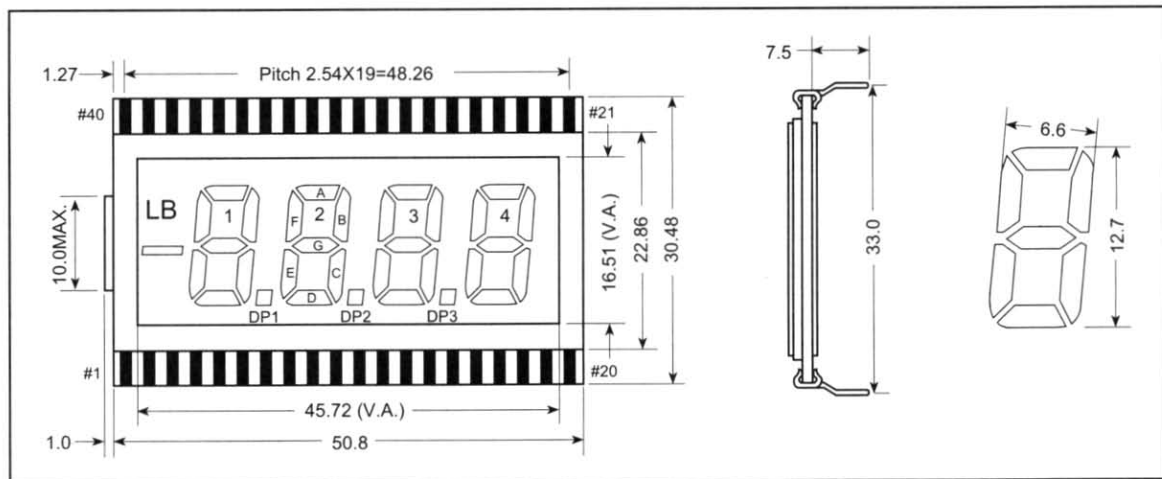


## 1.0 External Dimensions



## 2.0 Logic

|      |     |     |    |    |    |    |    |     |    |    |    |     |    |    |
|------|-----|-----|----|----|----|----|----|-----|----|----|----|-----|----|----|
| PIN# | 1   | 2   | 3  | 4  | 5  | 6  | 7  | 8   | 9  | 10 | 11 | 12  | 13 | 14 |
| SYM. | COM | LB  | —  | \  | 1E | 1D | 1C | DP1 | 2E | 2D | 2C | DP2 | 3E | 3D |
| PIN# | 15  | 16  | 17 | 18 | 19 | 20 | 21 | 22  | 23 | 24 | 25 | 26  | 27 | 28 |
| SYM. | 3C  | DP3 | 4E | 4D | 4C | 4B | 4A | 4F  | 4G | 3B | 3A | 3F  | 3G | \  |
| PIN# | 29  | 30  | 31 | 32 | 33 | 34 | 35 | 36  | 37 | 38 | 39 | 40  |    |    |
| SYM. | 2B  | 2A  | 2F | 2G | \  | 1B | 1A | 1F  | 1G | \  | \  | COM |    |    |