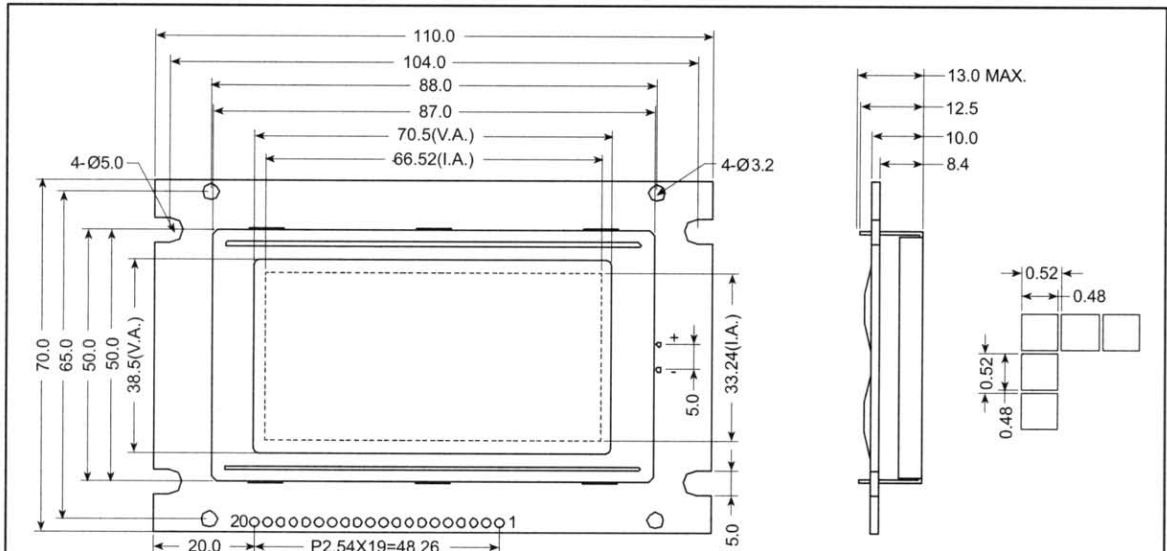


# LCD Graphic Module 128x64

## 1.0 Features

- \* Display: 128 Dots X 64 Dots
- \* Display Mode: Reflective / Transflective / Transmissive Type Optional; Positive; Normal / Wide Temp. Optional
- \* Assembly: COB
- \* Backlight: EL / LED Optional
- \* Driver Mode: 1/64 Duty; 1/9 Bias

## 2.0 External Dimensions



Pin No.	1	2	3	4	5	6	7~14	15	16	17	18	19	20
Symbol	GND	V <sub>DD</sub>	V <sub>LCD</sub>	RS	RWL	CE	DB0~DB7	CS1	CS2	RST	V <sub>ADJ</sub>	BL+	BL-